

Canto® 1200 SPOTLIGHT

Model #10857080

“Follow with the Leader”

F E A T U R E S

- ✓ 1200 Watt Metal Halide Light Source
- ✓ Optical-Quality Glass Reflector
- ✓ Double Condenser Optical System with Variable Zoom
- ✓ Drop-Down Lampholder permits Quick Bulb Replacement; No Tools required
- ✓ Manual Dimming Control
- ✓ Nichrome Steel Iris
- ✓ Spot Size and Edge Focus Controls
- ✓ Sturdy Extruded Aluminum and Sheet Metal Construction
- ✓ Typical Throw 30-130 feet (10-40 m); Beam Angle 8° - 22°
- ✓ Optional Five-Color Boomerang for use with 185 x 185mm Color Filters
- ✓ Optional Selectable-Height Tripod Floor Stand with adjustable Friction Controls for both Vertical and Horizontal movement



Color Boomerang & Tripod Base optional

The Canto® 1200 is a high-wattage metal halide followspot using a single-ended G22 base bulb (not included) to give a powerful and well-defined beam from the double condenser zoom optical system.

This followspot has a 8° to 22° variable beam angle, a large side handle to control pan and tilt movement, and a double microswitch interlock for safe bulb replacement. Also included are an external power supply unit, iris, dimmer, 28mm (1.1") spigot, and a 185 x 185mm (7¼ x 7¼") color frame.



Canto® 1200 SPOTLIGHT

ELECTRICAL SPECIFICATIONS

- 1200 Watt, Single-Ended projection bulb
- Power Supply unit draws 10 amperes sustaining at 115 volts; fuse for 16 A.
- Average Bulb Life 800 to 2000 Hours (varies by Manufacturer & Color Temperature)

Model #10857080

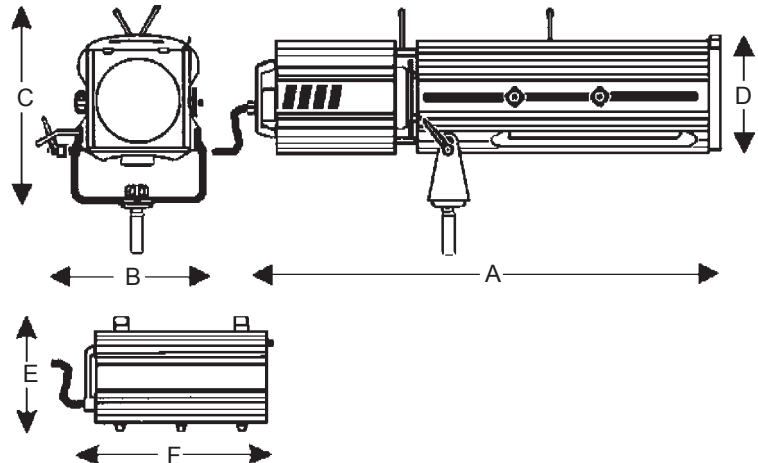
1200 W. Single-Ended Metal Halide

Figures based on measurements at 60', 70% field coverage, with new bulb

Throw Distance		Largest (Flood) with Iris open				Small (Spot) with Iris open				Minimum Diameter Iris closed			
		Diameter		Intensity		Diameter		Intensity		Diameter		Intensity	
Feet	Metres	Feet	Metres	FC	Lux	Inches	Metres	FC	Lux	Inches	Metres	FC	Lux
20	6.6	5.3	1.6	4,495	16,081	25.2	0.6	5,930	63,812	4.2	0.1	5,930	63,812
40	31.1	10.5	3.2	374	4,020	50.4	1.3	1,483	15,953	9.5	0.24	1,483	15,953
50	16.4	13.2	4	239	2,573	63	1.6	949	10,210	11.9	0.3	949	10,210
60	19.7	15.8	4.8	166	1,787	75.6	1.9	659	7,090	14.3	0.36	659	7,090
70	23	18.5	5.6	122	1,313	88.2	2.2	484	5,209	16.6	0.42	484	5,209
80	26.2	21.1	6.3	93	1,005	101	2.6	371	3,988	19	0.48	371	3,988
100	32.8	26.4	8	60	643	126	3.2	237	2,552	23.8	0.6	237	2,552
120	39.4	31.6	9.6	42	447	151	3.8	165	1,773	28.5	0.72	165	1,773
150	49.2	39.5	12	27	286	189	4.8	105	1,134	35.6	0.9	105	1,134

MECHANICAL SPECIFICATIONS

- A Overall length of Head unit 36.2" (920mm)
with optional Boomerang 40.2" (1022mm)
- B Overall width of Head unit 13" (330mm)
- C Overall height of Head & Yoke 19" (480mm)
- D Height of Lens Barrel 9.1" (232mm)
- E Length of Power Supply unit 15½" (394mm)
- F Height of Power Supply unit 10" (254mm)
- G Width of Power Supply unit 9" (228mm)



- Rear clearance radius for vertical movement 16" (406mm)
- Front clearance radius for vertical movement 19" (482mm)
with optional Boomerang 24" (609mm)
- Rear clearance radius for horizontal movement 16" (406mm)
- Front clearance radius for horizontal movement 19" (482mm)
with optional Boomerang 24" (609mm)

- Maximum downward tilt 60°
- Maximum upward tilt 60°
- Horizontal sweep 360°

Gross Weight

- Spotlight 52 lb. (23.6 kg)
- Power Supply Unit 69 lb. (31.3 kg)
- Tripod Floor Stand (optional) 16 lb. (7.26 kg)

Shipping carton dimensions

- Spotlight 42" x 17½" x 17½" (1067 x 444.5 x 444.5mm)
- Power Supply Unit 22" x 16½" x 17½" (559 x 419 x 444.5mm)
- Tripod Floor Stand (optional) 43½" x 6" x 6" (1105 x 152.4 x 152.4mm)

Strong Entertainment Lighting

4350 McKinley Street • Omaha, Nebraska 68112 USA

Tel 402.453.4444 • Fax 402.453.7238 • www-strong-lighting.com